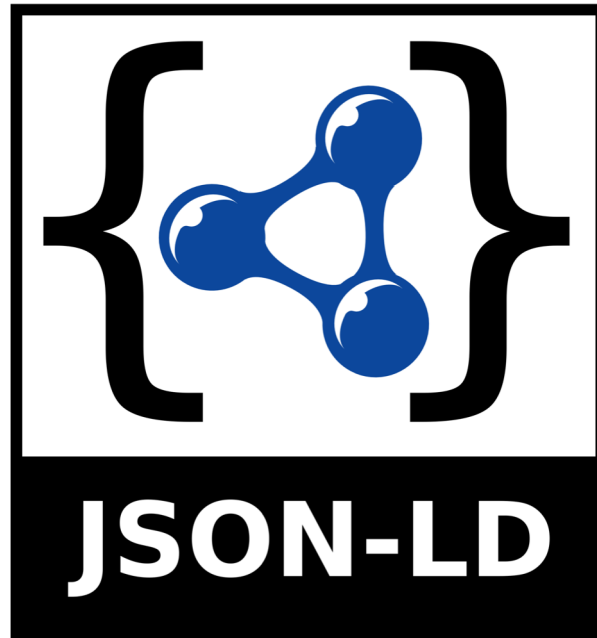


JSON-LD



JSON for Linked Data:
a standard for serializing RDF using JSON

JSON as an XML Alternative



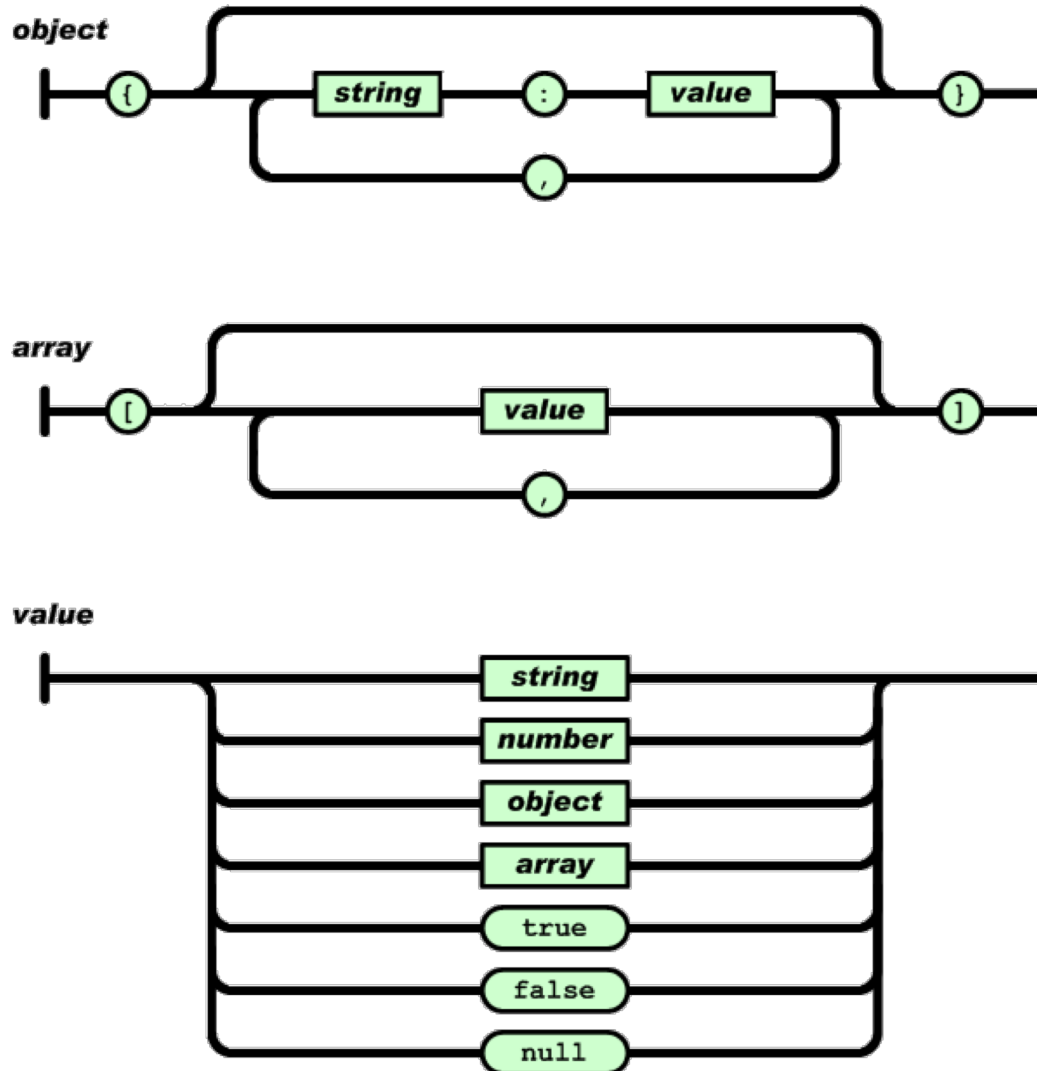
- Light-weight XML alternative for data-interchange
- JSON = JavaScript Object Notation
 - It's really language independent
 - Most programming languages can easily read it and instantiate objects
- Defined in [RFC 4627](#)
- Started gaining traction ~2006, now widely used
- <http://json.org/> has more information

Example

```
{
  "firstName": "John",
  "lastName": "Smith",
  "age": 25,
  "address": {
    "streetAdr": "21 2nd Street",
    "city": "New York",
    "state": "NY",
    "zip": "10021"},
  "phoneNumber": [
    {"type": "home",
     "number": "212 555-1234"},
    {"type": "fax",
     "number": "646 555-4567"}]
}
```

- This is a JSON object with five key-value pairs
- Objects are wrapped by curly braces
- There are no object IDs
- Keys are strings
- Values are numbers, strings, objects or arrays
- Arrays are wrapped by square brackets

The BNF is simple



Evaluation

- JSON is simpler than XML and more compact
 - No closing tags, but after compressing XML and JSON the difference is not so great
 - XML parsing is hard because of its complexity
- JSON has a better fit for OO systems than XML, but not as extensible
- Preferred for simple data exchange by many
- MongoDB: 'NoSQL' database for JSON objects
- ElasticSearch: Lucene-based IR system using JSON to represent documents

Dict to Graph (1)

- JSON objects: like key-value stores where the values can be atomic, lists or JSON objects
- These map to Python simple types, lists and dictionaries

```
>>> j_string = """{"firstName":"John", "lastName":"Smith" ... }"""
>>> j_obj = json.loads(j_string)
>>> j_obj
{'firstName': 'John', 'lastName': 'Smith', 'age': 25, 'address': {'streetAdr': '21
2ndStreet', 'city': 'NewYork', 'state': 'NY', 'zip': '10021'}, 'phoneNumber': [{'typ
e': 'home', 'number': '212-555-1234'}, {'type': 'fax', 'number': '646-555-
4567'}]}
>>> j_obj['phoneNumber'][0]['number']
'212-555-1234'
```

Dict to Graph (2)

Using JSON for knowledge graphs requires us to develop conventions to:

- Represent a general graph structure with this tree-oriented data structure
- Encode aspects for a RDF knowledge graph, like namespaces, prefixes, distinguishing URI representing objects from those representing web pages

JSON-LD Status

- JSON-LD: [2014 W3C recommendation](#) for representing RDF **data** as JSON objects
 - See [JSON-LD 1.1](#) for a draft of a new version
- Google, Bing and Yandex look for embedded JSON-LD data in web pages
 - and use the information they understand, e.g., statements using schema.org terms
 - Google now recommends using JSON-LD for structured data whenever possible

JSON-LD

JSON-LD: [2014 W3C Working Draft](#) representing RDF

```
{ "@context": {  
  "name": "http://xmlns.com/foaf/0.1/name",  
  "homepage": {  
    "@id": "http://xmlns.com/foaf/0.1/workplaceHomepage",  
    "@type": "@id"  
  },  
  "Person": "http://xmlns.com/foaf/0.1/Person"  
},  
"@id": "http://me.markus-lanthaler.com",  
"@type": "Person",  
"name": "Markus Lanthaler",  
"homepage": "http://www.tugraz.at/"  
}
```

```
@prefix foaf: <http://xmlns.com/foaf/0.1/> .  
@prefix xsd: <http://www.w3.org/2001/XMLSchema#> .  
<http://me.markus-lanthaler.com> a foaf:Person ;  
  foaf:name "Markus Lanthaler"^^xsd:string ;  
  foaf:workplaceHomepage <http://www.tugraz.at/> .
```

In the beginning

```
{  
  "name": "Manu Sporny",  
  "homepage": "http://manu.sporny.org/",  
  "image": "http://manu.sporny.org/images/manu.png"  
}
```

A bit better

```
{  
  "http://schema.org/name": "Manu Sporny",  
  "http://schema.org/url": { "@id": "http://manu.sporny.org/" }  
  "http://schema.org/image":  
    { "@id": "http://manu.sporny.org/images/manu.png" }  
}
```

- The '@id' keyword means 'This value is an identifier that is an IRI'
- i.e., it's not just a reference to a web page

Define a context

A context lets you define things that apply to the entire JSON object, such as full versions of some terms and (we will see) namespace prefixes and other properties

```
{ "@context":  
  {  
    "name": "http://schema.org/name", % [1]  
    "image": {  
      "@id": "http://schema.org/image", % [2]  
      "@type": "@id" % [3]  
    },  
    "homepage": {  
      "@id": "http://schema.org/url", % [4]  
      "@type": "@id" % [5]  
    }  
  }  
}
```

[1] means 'name' is short for 'http://schema.org/name'

[2] means 'image' is short for 'http://schema.org/image'

[3] means a string value associated with 'image' should be interpreted as an identifier that is an IRI

[4] means 'homepage' short for 'http://schema.org/url'

[5] means string value associated with 'homepage' to be interpreted as an identifier that is an IRI

Reference an external context

A context can be specified by a URL that points to a JSON object

```
{  
  "@context": "http://json-ld.org/contexts/person.jsonld",  
  "name": "Manu Sporny",  
  "homepage": "http://manu.sporny.org/",  
  "image": "http://manu.sporny.org/images/manu.png"  
}
```

More typically: add context inline

```
{ "@context":  
  {  
    "name": "http://schema.org/name",  
    "image": {  
      "@id": "http://schema.org/image",  
      "@type": "@id"  
    },  
    "homepage": {  
      "@id": "http://schema.org/url",  
      "@type": "@id"  
    }  
  },  
  "name": "Manu Sporny",  
  "homepage": "http://manu.sporny.org/",  
  "image": "http://manu.sporny.org/images/manu.png"  
}
```

Making assertions about things

The "**@id**" JSON property means value is (1) a reference to an RDF object, not a literal, and (2) the subject of all other property/values pairs in this object. **@type** is `rdf:type`

```
{ "@context": {  
  ...  
  "Restaurant": "http://schema.org/Restaurant",  
  "Brewery": "http://schema.org/Brewery"  
}  
"@id": "http://example.org/places#BrewEats",  
"@type": [ "Restaurant", "Brewery" ],  
...}
```

Adding a default vocabulary

The "**@vocab**" JSON property means any unqualified properties (e.g., "name") or objects (e.g., "Restaurant") come from its value's vocabulary

```
{ "@context": {  
  "@vocab": "http://schema.org/"  
}  
"@id": "http://example.org/places#BrewEats",  
"@type": "Restaurant",  
"name": "Brew Eats"  
...}
```


Mixing vocabularies

```
{ "@context":  
  { "xsd": "http://www.w3.org/2001/XMLSchema#",  
    "foaf": "http://xmlns.com/foaf/0.1/",  
    "foaf:homepage": { "@type": "@id" },  
    "picture": { "@id": "foaf:depiction", "@type": "@id" }  
  },  
  "@id": "http://me.markus-lanthaler.com/",  
  "@type": "foaf:Person",  
  "foaf:name": "Markus Lanthaler",  
  "foaf:homepage": "http://www.markus-lanthaler.com/",  
  "picture": "http://twitter.com/account/profile_image/mlanthaler"  
}
```

Mixing vocabularies

```
@prefix foaf: <http://xmlns.com/foaf/0.1/> .
@prefix xsd: <http://www.w3.org/2001/XMLSchema#> .
<http://me.markus-lanthaler.com/> a foaf:Person ;
    foaf:depiction <http://twitter.com/account/profile_image/mlanthaler> ;
    foaf:homepage <http://www.markus-lanthaler.com/> ;
    foaf:name "Markus Lanthaler"^^xsd:string .
```

```
{"@context":
  { "xsd": "http://www.w3.org/2001/XMLSchema#",
    "foaf": "http://xmlns.com/foaf/0.1/",
    "foaf:homepage": { "@type": "@id" },
    "picture": { "@id": "foaf:depiction", "@type": "@id" }
  },
  "@id": "http://me.markus-lanthaler.com/",
  "@type": "foaf:Person",
  "foaf:name": "Markus Lanthaler",
  "foaf:homepage": "http://www.markus-lanthaler.com/",
  "picture": http://twitter.com/account/profile\_image/mlanthaler }
```

Embedding other objects

```
{  
  ...  
  "name": "Manu Sporny",  
  "foaf:knows":  
  {  
    "@type": "Person",  
    "name": "Gregg Kellogg",  
  }  
  ...  
}
```

Produces a
blank node

Search Engines looks for JSON-LD

- Google, Bing and Yandex all looks for and use JSON-LD markup
- Only schema.org vocabulary is “understood”
- Put a JSON-LD object in head or body of web page wrapped with script tags:

```
<script type="application/ld+json">
```

```
{...}
```

```
</script>
```

UMBC ebiquity

- US
- RESEARCH
- PEOPLE
- PUBLICATIONS
- NEWS
- PHOTOS
- EVENTS
- BLOG
- TAGS
- INTERNAL
- MORE



You are on the UMBC subnet and probably at school. Go outside! It's a beautiful day... **84°F**

eBiquity Blog

- do not be a gl***hole, use face-block.me!
- google mooc: making sense of data
- stardog unleashed: md semantic web meetup. from the

Latest Paper Additions

- usm community cloud: vcl-based academic cloud
- cloud data management policies: security and privacy checklist
- tkoml: a scripting tool for

Latest eBiquity News

- ebiquity student karuna joshi's ibm ph.d. fellowship renewed for 2012-13
- ebiquity student karuna joshi receives ibm ph.d. fellowship
- yun peng receives award from

Latest eBiquity Events

- prob: a tool for tracking provenance and reproducibility of big data experiments
- tutorials by center for hybrid multicore productivity research students

```
17 <script type= text/javascript src= https://apis.google.com/js/plusone.js ></script>
18 <script type="application/ld+json">
19 {
20   "@context": "http://schema.org",
21   "@type": "http://schema.org/EducationalOrganization",
22   "http://schema.org/address": {
23     "@type": "http://schema.org/PostalAddress",
24     "http://schema.org/addressCountry": "USA",
25     "http://schema.org/addressLocality": "Baltimore",
26     "http://schema.org/addressRegion": "Maryland",
27     "http://schema.org/postalCode": "21250",
28     "http://schema.org/streetAddress": "University of Maryland, Baltimore County, 1000 Hilltop Circle"
29   },
30   "http://schema.org/description": "The UMBC Ebiquity Research Group consists of faculty and students from
the Department of Computer Science and Electrical Engineering (CSEE) of the University of Maryland,
Baltimore County (UMBC), located in Baltimore, Maryland.",
31   "http://schema.org/name": "UMBC Ebiquity Research Lab",
32   "http://schema.org/url": "http://ebiquity.umbc.edu",
33   "email": "ebiquity@gmail.com",
34   "faxNumber": "1-410-455-3969",
35   "telephone": "1-410-455-3000",
36   "logo": {"@id": "http://ebiquity.umbc.edu/img/ebq_logo.png" },
37   "member": [
38     {
39       "@type": "Person",
40       "email": "mailto:finin@umbc.edu",
41       "image": "http://umbc.edu/~finin/images/headshot.jpg",
42       "jobTitle": "Professor",
43       "name": "Tim Finin",
44       "telephone": "1-410-455-3522",
45       "url": "http://umbc.edu/~finin/"
46     }
47   ]
48 }
49 </script>
50
51 </head>
```

https://search.google.com/structured-data/testing-tool

The screenshot shows the Google Structured Data Testing Tool interface. The browser address bar displays the URL: `search.google.com/structured-data/testing-tool?url=http%3A%2F%2Febiquity.umbc.edu%2F`. The page title is "Google Structured Data Testing Tool" with a "Sign in" button. The URL being tested is `http://ebiquity.umbc.edu/`. The left pane shows the HTML source code, and the right pane shows the detected structured data items.

```
1 <html>
2 <head>
3   <title>UMBC ebiquity research group</title>
4   <meta http-equiv="Content-Language" content="en_US"
5   />
6   <meta name="viewport" content="width=device-width,
7   initial-scale=1">
8   <script language="JavaScript" src="/js/menus.js"
9   type="text/javascript"></script>
10  <link rel="stylesheet" type="text/css"
11  href="/css/styles.css" />
12  <link rel="shortcut icon" href="/favicon.ico" />
13  <base href="http://ebiquity.umbc.edu" />
14
15  <script src="http://www.google-
16  analytics.com/urchin.js" type="text/javascript">
17  </script>
18  <script type="text/javascript"> _uacct = "UA-120147-
19  16"; urchinTracker(); </script>
20  <script type="text/javascript"
21  src="http://s20.sitemeter.com/js/counter.js?
22  site=s20ebiquity"></script>
23  <script type="text/javascript">
```

Detected 0 ERRORS 0 WARNINGS 2 ITEMS

- Unspecified Type** 0 ERRORS 0 WARNINGS 1 ITEM
- EducationalOrganization** 0 ERRORS 0 WARNINGS 1 ITEM

Google Structured Data Testing Tool

Sign in

http://ebiquity.umbc.edu/

NEW TEST 

```
1 <html>
2 <head>
3   <title>UMBC ebiquity research group</title>
4   <meta http-equiv="Content-Language"
content="en_US" />
5   <meta name="viewport" content="width=device-
width, initial-scale=1">
6   <script language="JavaScript" src="/js/menus.js"
type="text/javascript"></script>
7   <link rel="stylesheet" type="text/css"
href="/css/styles.css" />
8   <link rel="shortcut icon" href="/favicon.ico" />
9   <base href="http://ebiquity.umbc.edu" />
10
11
12
13   <script src="http://www.google-
analytics.com/urchin.js" type="text/javascript">
</script>
14   <script type="text/javascript">_uacct = "UA-
120147-16"; urchinTracker(); </script>
15   <!-- <script type="text/javascript"
src="http://s20.sitemeter.com/js/counter.js?
site=s20ebiquity"></script>
16     <script type="text/javascript">
```

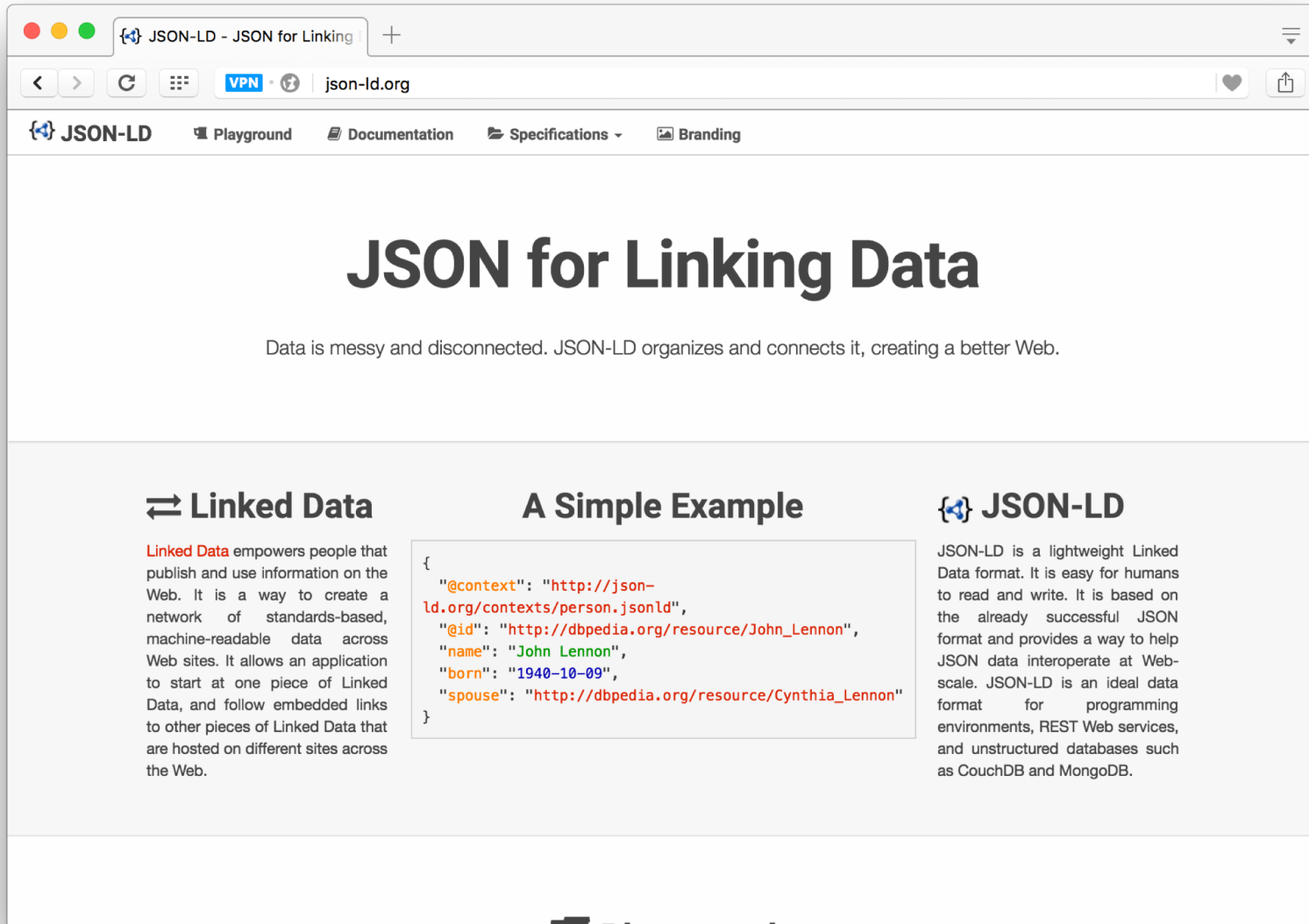
EducationalOrganization

All (1) 

| | | | |
|-------------------------|---|-----------------|-------------------|
| EducationalOrganization | PREVIEW | 2 ERRORS | 0 WARNINGS |
| @type | EducationalOrganization | | |
| description | The UMBC Ebiquity Research Group consists of faculty and students from the Department of Computer Science and Electrical Engineering (CSEE) of the University of Maryland, Baltimore County (UMBC), located in Baltimore, Maryland. | | |
| name | UMBC Ebiquity Research Lab | | |
| url | http://ebiquity.umbc.edu | | |
| email | ebiquity@gmail.com | | |
| faxNumber | 1-410-455-3060 | | |



http://json-ld.org/



The image shows a browser window displaying the homepage of the JSON-LD project. The browser's address bar shows the URL 'http://json-ld.org/'. The page features a navigation menu with links for 'JSON-LD', 'Playground', 'Documentation', 'Specifications', and 'Branding'. The main heading is 'JSON for Linking Data', followed by a tagline: 'Data is messy and disconnected. JSON-LD organizes and connects it, creating a better Web.' Below this, there are three columns of content: 'Linked Data', 'A Simple Example', and 'JSON-LD'. The 'Linked Data' column explains the concept of Linked Data. The 'A Simple Example' column shows a JSON-LD snippet for John Lennon. The 'JSON-LD' column describes the format as a lightweight Linked Data format.

⇒ Linked Data

Linked Data empowers people that publish and use information on the Web. It is a way to create a network of standards-based, machine-readable data across Web sites. It allows an application to start at one piece of Linked Data, and follow embedded links to other pieces of Linked Data that are hosted on different sites across the Web.

A Simple Example

```
{
  "@context": "http://json-ld.org/contexts/person.jsonld",
  "@id": "http://dbpedia.org/resource/John_Lennon",
  "name": "John Lennon",
  "born": "1940-10-09",
  "spouse": "http://dbpedia.org/resource/Cynthia_Lennon"
}
```

{ JSON-LD

JSON-LD is a lightweight Linked Data format. It is easy for humans to read and write. It is based on the already successful JSON format and provides a way to help JSON data interoperate at Web-scale. JSON-LD is an ideal data format for programming environments, REST Web services, and unstructured databases such as CouchDB and MongoDB.



JSON-LD Playground

The screenshot shows the JSON-LD Playground web application. The browser address bar shows the URL `json-ld.org/playground/`. The page title is "JSON-LD Playground". The navigation menu includes "JSON-LD", "Playground", "Documentation", "Specifications", and "Branding".

JSON-LD Playground

Play around with JSON-LD markup by typing out some JSON below and seeing what gets generated from it at the bottom of the page. Pick any of the examples below to get started. The playground uses the [jsonld.js JSON-LD processor](#) which fully conforms to the JSON-LD Syntax and API specifications.

Examples: [Person](#) [Event](#) [Place](#) [Product](#) [Recipe](#) [Library](#) [Activity](#)

[Permalink](#) [Gist](#) [Shortcuts](#)

JSON-LD Input

[Document URL](#)

```
{
  "@context": "http://schema.org/",
  "@type": "Person",
  "name": "Jane Doe",
  "jobTitle": "Professor",
  "telephone": "(425) 123-4567",
  "url": "http://www.janedoe.com"
}
```

Expanded Compacted Flattened Framed N-Quads Normalized Signed

```
[
  {

```



Conclusion

- JSON-LD is a good solution to putting blocks of semantic data on web pages
- Aimed at publishing linked data, not ontologies, i.e., ABOX not TBOX
- Tools available for extracting RDF triples
- Search engines look for and use JSON-LD that use vocabularies they understand (i.e., schema.org)